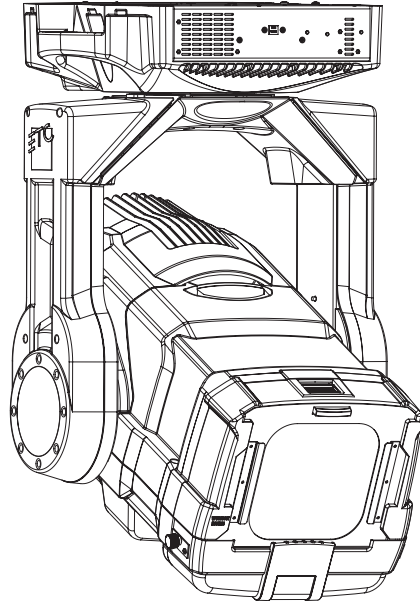




100V 115/120V 230/240V

with WYBRON INSIDE
S4R Series



SPECIFICATIONS

Automated zoom profile spotlight fixture

PHYSICAL

- Die cast aluminium construction
- Rugged plastic covers for field-serviceable areas
- CE compliant and ETL tested to UL 1573 standards
- High strength yoke for hanging in any orientation

STANDARD FEATURES

- Integral quiet Pulse Width Modulated (PWM) 0-77V dimmer
 - 540° Pan / 270° Tilt
 - 15°-35° Zoom
 - QuietDrive low-noise motor control technology (Patent Pending)
 - Advanced cooling design for quiet operation
 - Integral 24-frame capacity colour scroller with Wybron technology for speed and accuracy
 - Convenient quick-change gel cartridge
 - Ships with 12-colour ETC standard gel string
 - Accessory slot with retainer
 - Internal Media Frame
 - For insertion of diffusion or colour media into beam
 - Soft to crisp focus for gobos
 - Two module bays for optional effect modules
- Fixture power not required for addressing
- On-board test functions
 - Pan and tilt locks for handling convenience

ELECTRICAL AND DATA

- 100-240V, 50/60Hz, 950W peak power consumption
- Flicker-free electronic UPS and internal dimmer are auto-ranging for world-wide use.
- Power input via PowerCon connector.
- Efficient CAN-BUS protocol for simplified internal wiring harness
- Rotary switch address assignment

LAMP

- QXL 750W/77V Maximum
- QXL – Quick eXchange Lamp provides one-hand replacement in seconds and disconnects lamp power automatically
- Ultra compact tungsten filament geometry contained in a Krypton/Xenon quartz envelope
- Both 300 hr. high-output and 1500 hr. long-life lamps available

OPTICAL

- Dual aspheric zoom lens system with deposition anti-reflective coating
- Faceted borosilicate reflector with dichroic cold mirror coating reflects greater than 95% of visible light
- 90% of infrared radiation (I/R heat) removed from projected light beam
- Reflector secured with anti-vibration shock mounts
- Lenses easily accessible for cleaning
- Tool-free, one-hand lamp centering (X/Y) and peak/flat (Z) adjustment knobs

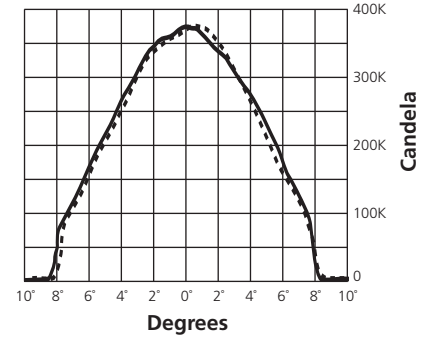
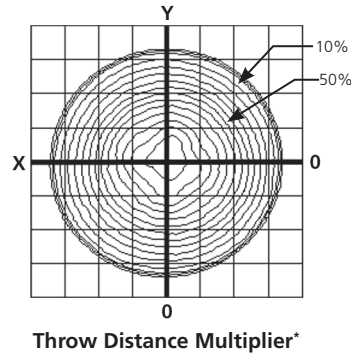
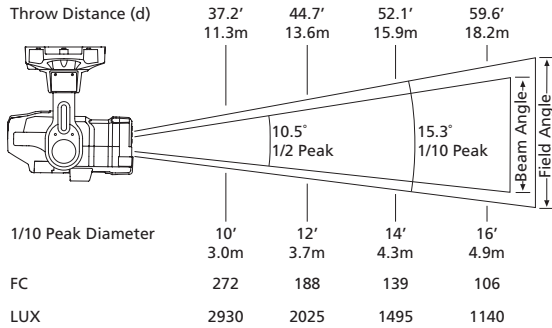
OPTIONAL MODULES

- Auto-sensing plug-and-play modules for additional features.
- Iris Module – for beam size control down to 2.5°
- Shutter Module – 4 blades with 90° rotation for full-function framing
- Static Wheel Module – 3 positions plus open
- Rotating Wheel Module – 3 positions plus open
 - Indexes with 16-bit accuracy
- Note: Static Wheel and Rotating Wheel modules accept M-sized steel or glass gobos and filters



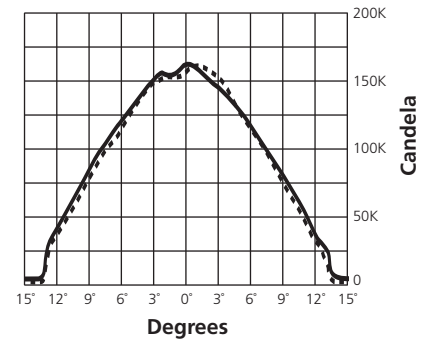
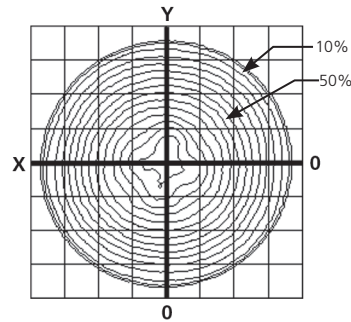
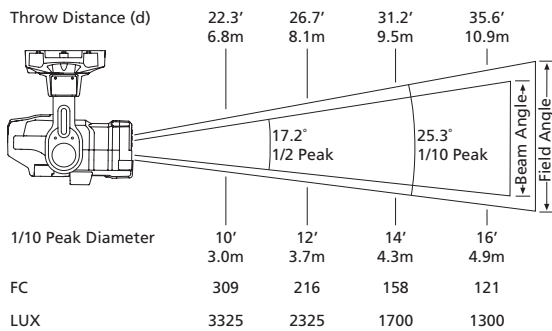
PHOTOMETRICS

Minimum Spread



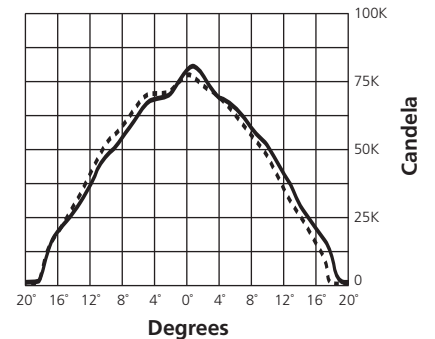
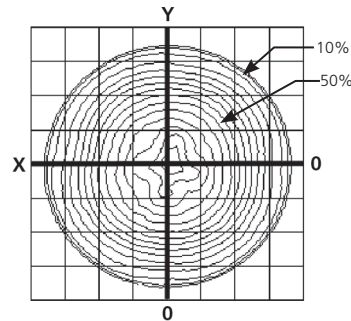
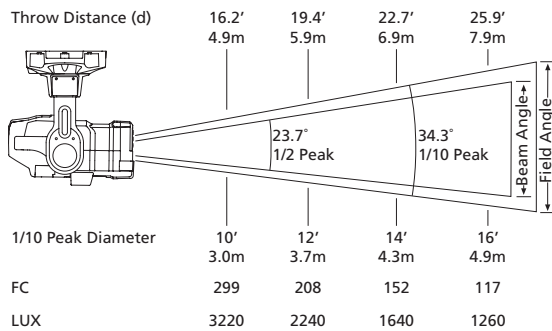
Degree	Candela	Field Lumens	Beam Lumens	Efficiency	Lumens Per Watt
15°	376,520	10,830	7,060	47.19%	14.4

Median Spread



Degree	Candela	Field Lumens	Beam Lumens	Efficiency	Lumens Per Watt
25°	153,730	11,760	7,425	51.24%	15.7

Maximum Spread



Degree	Candela	Field Lumens	Beam Lumens	Efficiency	Lumens Per Watt
35°	78,410	10,950	6,925	47.71%	14.6

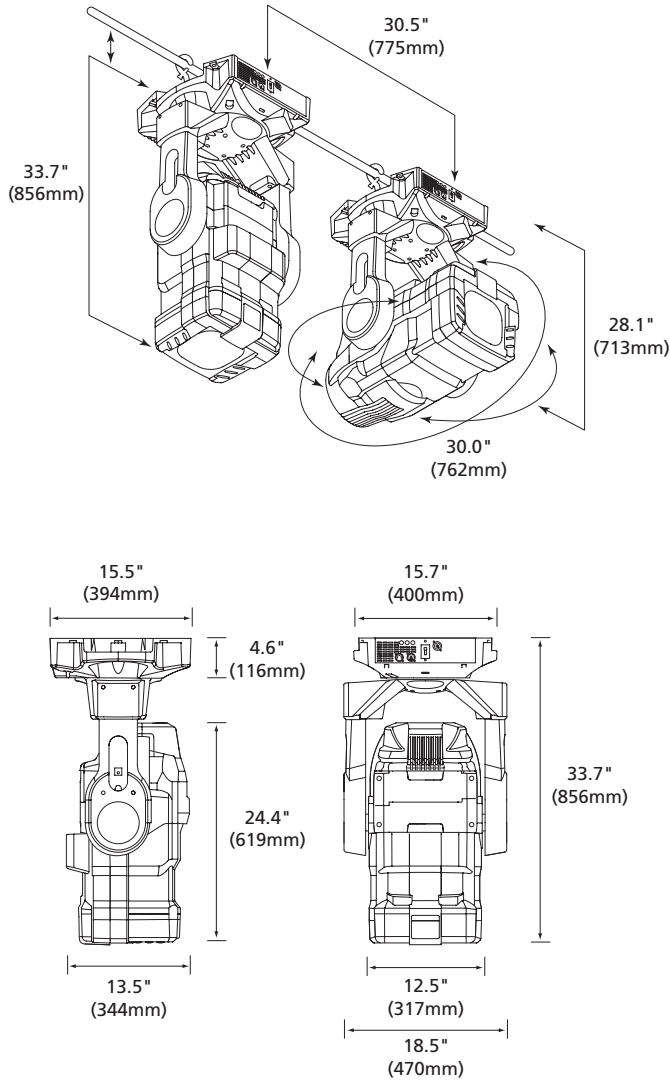
All photometric data in this document was prepared using standard production fixtures, and the Prometric CCD measurement system.

Fixtures were adjusted for blending (cosine) distribution, and were tested with a calibrated lamp at its rated voltage. All data were normalized to nominal lamp lumens.

To determine illumination in footcandles or lux at any throw distance, divide candlepower by distance squared.

* (distance from origin) = (throw distance) x (throw distance multiplier)

PHYSICAL



Source Four Revolution Weights

MODEL	WEIGHT	SHIPPING WEIGHT
	kgs	kgs
S4R	33.6	36.5

* Individual Module weights below.
Add to Base Fixture Weight for total weight of configured Revolution unit.

Source Four Revolution Modules Weights

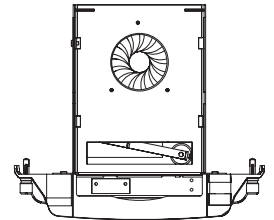
MODEL	WEIGHT	SHIPPING WEIGHT
	kgs	kgs
BM	.85	1.9
IM	1.4	1.9
SWM	1.4	1.9
RWM	1.7	2.3
SM	4.7	5.5

MODULES

The base Revolution unit is equipped with two module bays. The fixture holds one or two of the following modules in any combination. Modules insert without need for tools, disassembly or other luminaire modification.

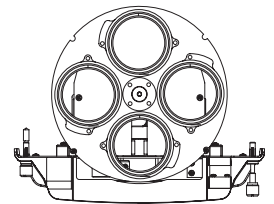
IRIS MODULE (IM)

- 18-leaf iris
- Smooth operation
- Simple, repeatable round beam-size control
- 2.5° minimum beam size (26.7 cm diameter at 6 m throw)
- On-board auto-sensing electronics



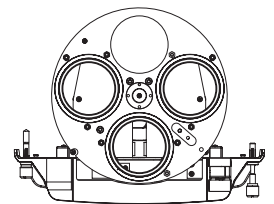
STATIC WHEEL MODULE (SWM)

- Three slots, plus open
- Glass or steel gobos accepted
- Dichroic colour filters
- M-size
- On-board auto-sensing electronics
- Recommended for use in front bay



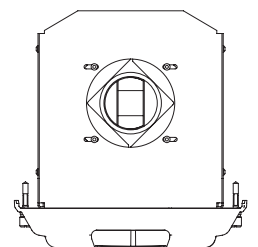
ROTATING WHEEL MODULE (RWM)

- Rotating, counter-rotating and indexable gobos
- Glass or steel gobos accepted
- M-size
- On-board auto-sensing electronics
- Recommended for use in front bay



SHUTTER MODULE (SM)

- Four independent shutters on multiple planes
- Flexible beam shaping
- All shutters have 90-degree (+/- 45°) rotation
- On-board auto-sensing electronics
- For use in rear bay only



DMX CHANNEL ASSIGNMENTS

DMX Channel	Function	Emphasis Attribute Name
1	Intensity	INT
2	Pan	PAN
3	Pan 2	
4	Tilt	TILT
5	Tilt 2	
6	Internal Media Frame	FROST
7	Focus	FOCUS
8	Zoom	ZOOM
9	Focus Timing	FocSpd
10	Colour Timing	CSPD 1
11	Beam Timing	GSPD 1
12	Reset	MFUN
13	Gel 1	Clr2
14	Fan Speed Control	Fan Speed Control
15	Bay 1 – Iris	Lens
16	Bay 1 – Wheel Position	Gobo 1
17	Bay 1 – Rotating Wheel Function	GROT1
18	Bay 1 – Rotating Wheel Index/Rotation-Coarse	GFUN1
19	Bay 1 – Rotating Wheel Index/Rotation-Fine	
20	Bay 2 – Wheel Position	Gobo 2
21	Bay 2 – Rotating Wheel Function	GROT2
22	Bay 2 – Rotating Wheel Index/Rotation-Coarse	GFUN2
23	Bay 2 – Rotating Wheel Index/Rotation-Fine	
24	Blade 1 – In/Out	Fram1A
25	Blade 1 – Rotate	Fram1B
26	Blade 2 – In/Out	Fram2A
27	Blade 2 – Rotate	Fram2B
28	Blade 3 – In/Out	Fram3A
29	Blade 3 – Rotate	Fram3B
30	Blade 4 – In/Out	Fram4A
31	Blade 4 – Rotate	Fram4B

12-COLOUR STANDARD GEL STRING *

Frame	Colour Number	Colour Name
1	Roscolux 00	Clear
2	Roscolux 33	No Color Pink
3	Roscolux 13	Straw Tint
4	Roscolux 57	Lavender
5	Roscolux 348	Purple Jazz
6	Roscolux 343	Neon Pink
7	Roscolux 23	Orange
8	Roscolux 371	Theater Booster 1
9	Roscolux 361	Hemsley Blue**
10	Roscolux 83	Medium Blue
11	Roscolux 26	Light Red
12	Roscolux 89	Moss Green

The Internal Media Frame is shipped with RoscoLux 119

* The ETC standard gel colour palette has changed from the previous version.

** Rosco donates the proceeds of the sale of Hemsley Blue to the Hemsley Foundation for the benefit of lighting design students.

ORDERING INFORMATION

Source Four Revolution

PART#	DESCRIPTION
7160A1017	Source Four Revolution automated zoom (black). ETC Source Four Revolution are shipped with 12-colour ETC standard gel string, two blank modules with integral M-sized gobo holder, User Manual, Safety Cable, ¹ Tether Eyebolt Kit, and 0.9 m PowerCon to bare-end pigtail. Lamp is not included. ¹ This small eyebolt kit is for installation by end-user if required to attach a safety cable to front of fixture for scroller cartridge and accessories.

Also available in white.

Lamps

PART#	Lamp Code	Watts	Volts	Lumens	Color Temp.	Average Rated Life
RT174	QXL750/77	750	77	22,950	3250	300 hrs.
RT175	QXL750/77X	750	77	18,000	3050	1500 hrs.

Modules

PART#	DESCRIPTION
Note: Modules are sold separately from fixture. Wheel Modules ship without gobos. Standard M-sized gobos are available from various vendors.	
7160A1009	Iris Module (IM)
7160A1005	Static Wheel Module (SWM)
7160A1003	Rotating Wheel Module (RWM)
7160A1004	Shutter Module (SM)

Accessories

PART#	DESCRIPTION
7160A1007	Blank Module w. integrated gobo holder M-size
7160A2078	Spare colour Scroller Cartridge (Including gel string)
PSR1024	Flight case for Source Four Revolution
PSR1025	Add-on module for flight case for second fixture

Other standard ETC products including top hats may also be used with Source Four Revolution.

AVAILABLE FROM

--



Corporate Headquarters • 3031 Pleasant View Rd, PO Box 620979, Middleton WI 53562 0979 USA • Tel +1 608 831 4116 • Fax +1 608 836 1736

London, UK • Unit 26-28, Victoria Industrial Estate, Victoria Road, London W3 6UU, UK • Tel +44 (0) 20 8896 1000 • Fax +44 (0) 20 8896 2000

Rome, IT • Via Pieve Torina, 48, 00156 Rome, Italy • Tel +39 (06) 32 111 683 • Fax +44 (0) 20 8752 8486

Holzkirchen, DE • Ohmstrasse 3, 83607 Holzkirchen, Germany • Tel +49 (80 24) 47 00-0 • Fax +49 (80 24) 47 00-3 00

Hong Kong • Room 1801, 18/F, Tower 1 Phase 1, Enterprise Square, 9 Sheung Yuet Road, Kowloon Bay, Kowloon, Hong Kong • Tel +852 2799 1220 • Fax +852 2799 9325

Web • www.etcconnect.com • Copyright©2010 ETC. All Rights Reserved. All product information and specifications subject to change. 7160L1002-GB Rev. G

Source Four® products protected by U.S. Patent Numbers 5,268,613, 5,345,371, 5,544,029, and 5,775,799; Japanese Patent Number 2,501,772; US and International Patents Pending.